



## JB 420 PUMP

### Applications:

- Cutting, turning, milling, boring, grinding and similar applications of the machine tools,
- Filtration systems,
- Treatment systems,
- Cooling systems,
- Circulation systems. JB Pumps are used for pumping of cutting / cooling fluids.

### Fluid Specifications:

- Coolants,
- Cutting oils,
- Grinding oils,
- Water,
- Chip contains liquids (max. 10mm)
- Fluid temperature 0...80 °C
- Kinematic viscosity 1...90 mm<sup>2</sup>/s

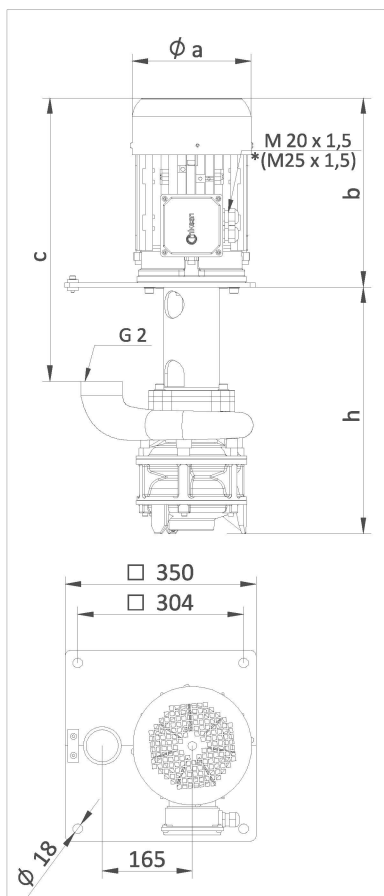
### Materials:

Pump body	: Cast iron - DIN GG 25
Volute	: Cast iron - DIN GG 25
Diffusor	: Cast iron - DIN GG 25
Suction Cover	: Cast iron - DIN GG 25
Impeller	: Investment casting steel - AISI 4140 (DIN 42CrMo4)
Pump shaft	: Engineering steel - AISI 1040 (DIN C35)
Electric motor	: 3 phase induction motor IE3 - 2 pole Protection degree IP 55

\* JB 420 pumps can be optionally equipped with an axial impeller.

\*\* Please contact us for different immersion depth.

### DIMENSIONS & NOMINAL VALUES



TYPE	Depth of Immersion h (mm)	mm			Weight kg	Power kW	Voltage V( $\Delta$ /Y)	Frequency Hz	Rated current A	Speed rpm
		a	b	c						
JB 421/300	300	194	338	510	49.5	3.0	230/400	50	10.39/6.0	2905
JB 421/520	520			730	56.0					
JB 421/740	740			950	62.5					
JB 422/375	375	218	353	525	62.5	5.5	230/400	50	17.15/9.9	2900
JB 422/595	595			745	69.0					
<b>JB 423/450</b>	<b>450</b>	<b>258</b>	<b>438</b>	<b>610</b>	<b>93.5</b>	<b>7.5</b>	<b>400<math>\Delta</math></b>	<b>50</b>	<b>14.0</b>	<b>2930</b>
JB 423/670	670			830	100.0					
JB 424/525	525	258	438	610	109.5	11.0	400 $\Delta$	50	19.7	2930
JB 424/745	745			830	116.0					

\* The performance curves are based on 1 mm<sup>2</sup>/s (cSt) kinematic viscosity values and 997 kg/m<sup>3</sup> density  
 \*\* Curve tolerance according to ISO 9906:2012 Grade 3B.

Performance Curve

